



Type KFS2

The crane driver's seat KFS 2 has stepless high adjustment by means of a gas-loaded spring.

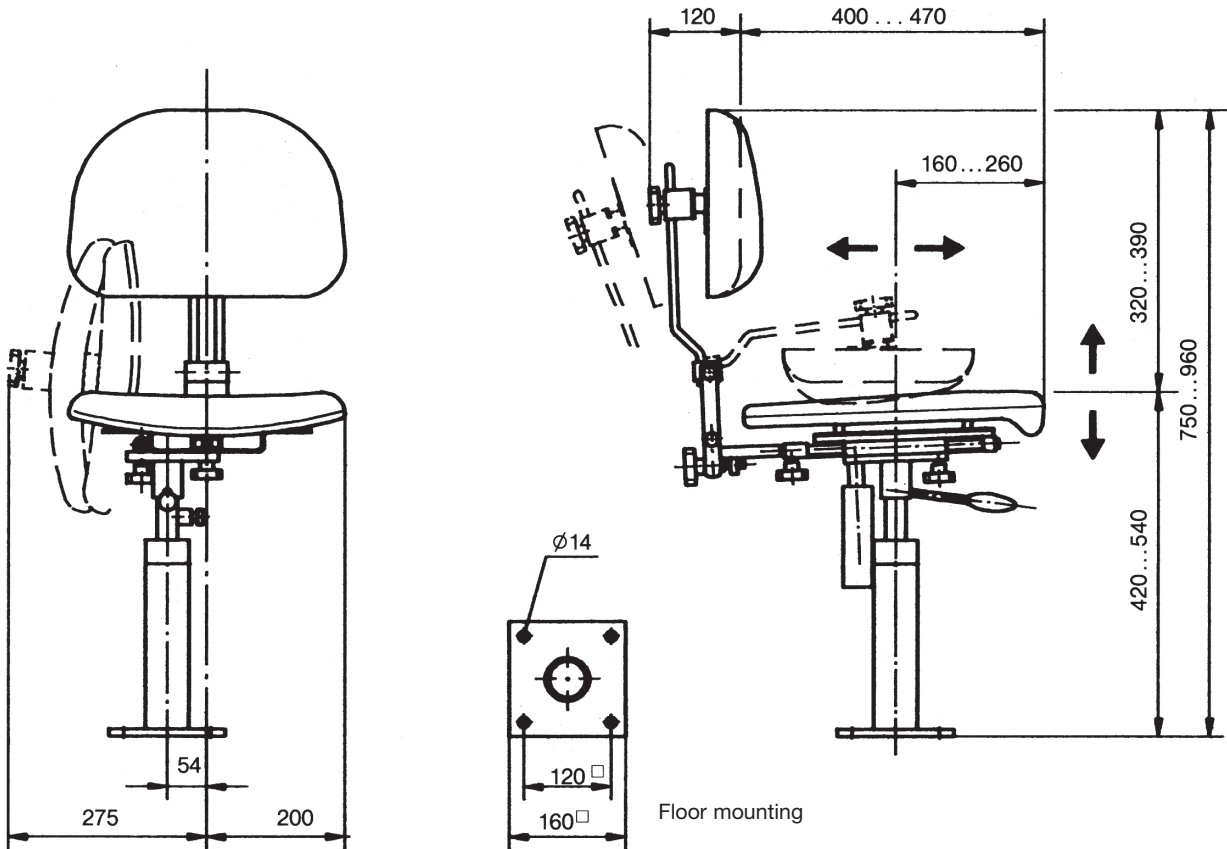
The backrest can be tilted, forwards onto the cushion, which in turn can then be tilted 90° sideways.

All these functions are performed easily via levers.

The metal parts are protected against corrosion and painted black.

Technical details:

Horizontal adjustment	100 mm
Backrest adjustment, fine control inclination backwards	max. 10°
Height adjustment	120 mm



Pos.		Weight kg	Type	Price EURO
1	Driver's seat with air-permeable artificial leather cover black	15	KFS 21	
2	Driver's seat with textil cover grey / black	14	KFS 22	
3				
4				
5				
6				
7				
8				
9				
10				